

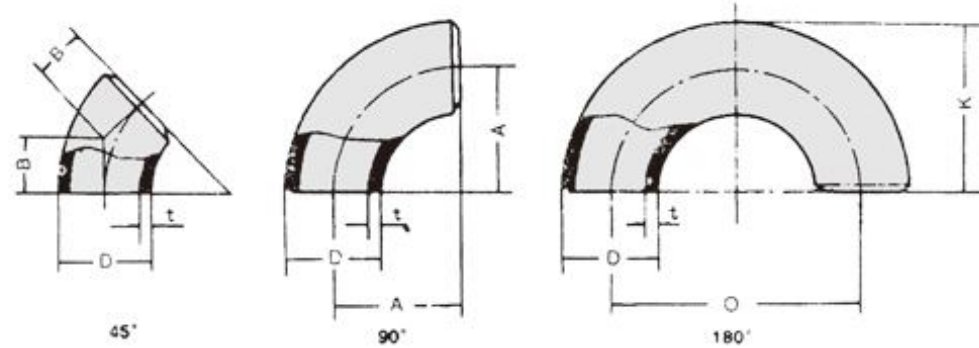


管件参数系列



弯头 长半径

Elbows Long Radius ASME/ANSI B16.9

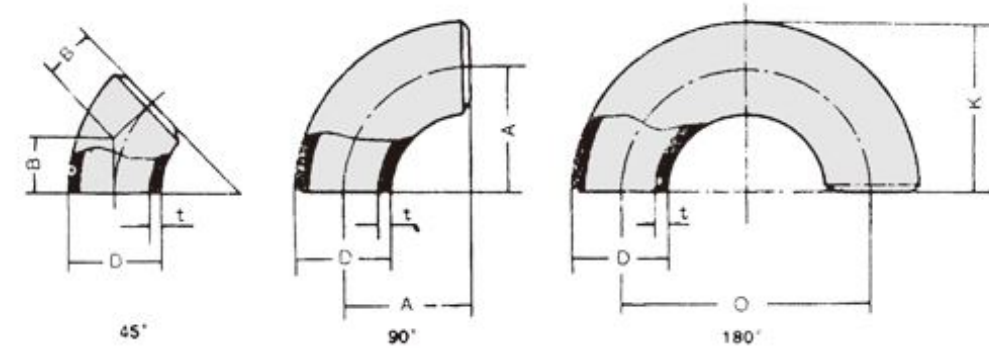


Nominal Pipe Size 公称尺寸 inch	Dimensions 尺寸		Center End:A/B 中心至端面:A/B Center to Center:O 中心至中心:O Back to Face:K 顶端至端面:K mm
	Outside Diameter at Bevel:D 坡口处外径:D		
	inch	mm	
1/2	0.840	21.3	A=38.1 B=15.7 O=76.2 K=47.8
3/4	1.050	26.7	A=38.1 B=19.1 O=76.2 K=50.8
1	1.315	33.4	A=38.1 B=22.4 O=76.2 K=55.6
1 1/4	1.660	42.2	A=47.8 B=25.4 O=95.3 K=69.9
1 1/2	1.900	48.3	A=57.2 B=28.4 O=114.3 K=82.6
2	2.375	60.3	A=76.2 B=35.1 O=152.4 K=106.4
2 1/2	2.875	73.0	A=95.3 B=44.5 O=190.5 K=131.8
3	3.500	88.9	A=114.3 B=50.8 O=228.6 K=158.8

Sch. No.	Wall Thickness:t 壁厚:t		Approx. Weight 理论重量		
	t		45° kg	90° kg	180° kg
	inch	mm			
Std/40 XS/80	0.109	2.77	0.04	0.08	0.16
	0.147	3.73	0.05	0.10	0.20
Std/40 XS/80	0.113	2.87	0.04	0.08	0.16
	0.154	3.91	0.07	0.14	0.28
Std/40 XS/80 160	0.133	3.38	0.08	0.15	0.30
	0.179	4.55	0.10	0.19	0.38
	0.250	6.35	0.13	0.25	0.50
Std/40 XS/80 160	0.140	3.56	0.13	0.25	0.50
	0.191	4.85	0.17	0.33	0.66
	0.250	6.35	0.21	0.42	0.84
Std/40 XS/80 160 XXS	0.145	3.68	0.18	0.36	0.72
	0.200	5.08	0.25	0.49	0.98
	0.281	7.14	0.33	0.65	1.30
	0.400	10.15	0.43	0.86	1.72
Std/40 XS/80 160 XXS	0.154	3.91	0.33	0.65	1.30
	0.218	5.54	0.45	0.90	1.80
	0.344	8.74	0.67	1.33	2.66
	0.436	11.07	0.81	1.61	3.22
Std/40 XS/80 160 XXS	0.203	5.16	0.65	1.29	2.58
	0.276	7.01	0.86	1.71	3.42
	0.375	9.53	1.12	2.23	4.46
	0.552	14.02	1.53	3.05	6.10
Std/40 XS/80 160 XXS	0.216	5.49	1.02	2.03	4.06
	0.300	7.62	1.37	2.74	5.48
	0.438	11.13	1.92	3.83	7.66
	0.600	15.24	2.49	4.97	9.94

弯头 长半径

Elbows Long Radius ASME/ANSI B16.9

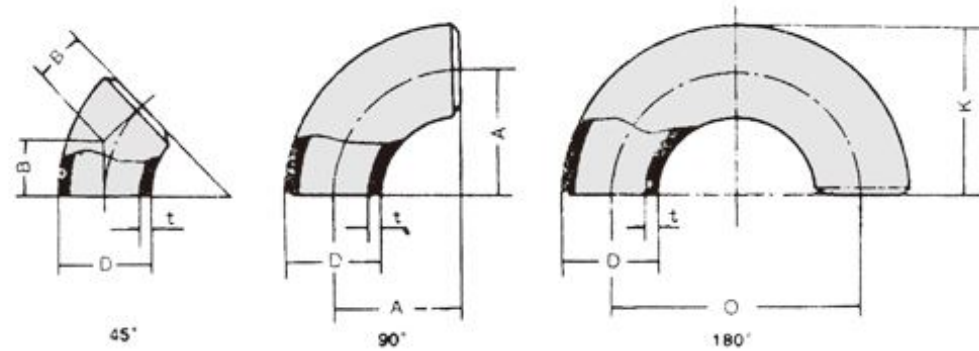


Nominal Pipe Size 公称尺寸 inch	Dimensions 尺寸		Center End:A/B 中心至端面:A/B Center to Center:O 中心至中心:O Back to Face:K 顶端至端面:K mm
	Outside Diameter at Bevel:D 坡口处外径:D		
	inch	mm	
4	4.500	114.3	A=152.4 B=63.5 O=304.8 K=209.6
			A=190.5 B=79.2 O=381.0 K=261.9
			A=228.6 B=95.3 O=457.2 K=312.7
			A=304.8 B=127.0 O=609.6 K=414.3
			A=381.0 B=158.8 O=762.0 K=517.7

Sch. No.	Wall Thickness:t 壁厚:t		Approx. Weight 理论重量		
	t		45° kg	90° kg	180° kg
	inch	mm			
Std/40 XS/80 120 160 XXS	0.237	6.02	1.93	3.85	7.70
	0.337	8.56	2.67	5.34	10.7
	0.438	11.13	3.39	6.78	13.6
	0.531	13.49	4.02	8.03	16.1
	0.674	17.12	4.91	9.82	19.6
Std/40 XS/80 120 160 XXS	0.258	6.55	3.26	6.51	13.0
	0.375	9.53	4.64	9.27	18.5
	0.500	12.70	6.05	12.1	24.2
	0.625	15.88	7.35	14.7	29.4
	0.750	19.05	8.60	17.2	34.4
Std/40 XS/80 120 160 XXS	0.280	7.11	5.05	10.1	20.2
	0.432	10.97	7.65	15.3	30.6
	0.562	14.27	9.75	19.5	39.0
	0.719	18.26	12.1	24.2	48.4
	0.864	21.95	14.2	28.4	56.4
20 30 Std/40 60 XS/80 100 120 140 160 XXS	0.250	6.35	7.95	15.9	31.8
	0.277	7.04	8.80	17.6	35.2
	0.322	8.18	10.2	20.4	40.8
	0.406	10.31	12.7	25.4	50.8
	0.500	12.70	15.5	30.9	61.8
	0.594	15.09	18.2	36.3	72.6
	0.719	18.26	21.7	43.3	86.6
	0.812	20.62	24.2	48.3	96.6
	0.906	23.01	26.7	53.3	107
	0.875	22.23	25.9	51.7	103
	20 30 Std/40 XS/60 80 100 120 140/XXS 160	0.250	6.35	12.5	25.0
0.307		7.80	15.3	30.5	61.0
0.365		9.27	18.1	36.1	72.2
0.500		12.70	24.4	48.8	97.6
0.594		15.09	28.7	57.3	115
0.719		18.26	34.3	68.6	137
0.844		21.44	39.8	79.5	169
1.000		25.40	46.4	92.8	186
1.125		28.58	51.5	103	206

弯头 长半径

Elbows Long Radius ASME/ANSI B16.9

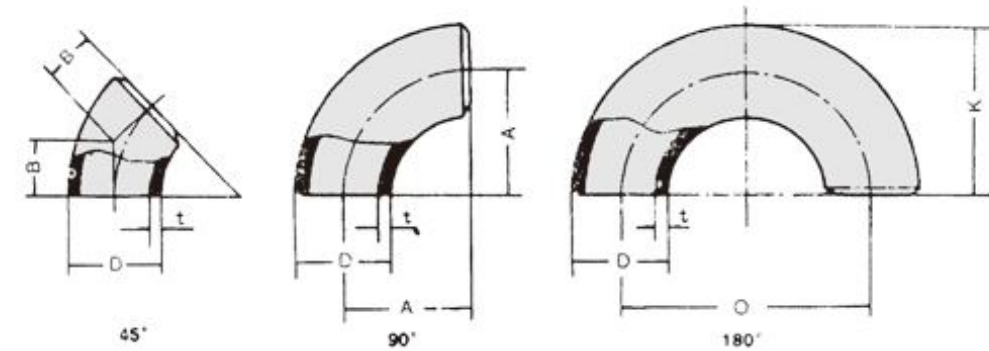


Nominal Pipe Size 公称尺寸 inch	Dimensions 尺寸		Center End:A/B 中心至端面:A/B Center to Center:O 中心至中心:O Back to Face:K 顶端至端面:K mm
	Outside Diameter at Bevel:D 坡口处外径:D		
	inch	mm	
12	12.750	323.9	A=457.2 B=190.5 O=914.4 K=619.3
14	14.000	355.6	A=533.4 B=222.3 O=1066.8 K=711.2
16	16.000	406.4	A=609.6 B=254.0 O=1219.2 K=812.8
18	18.000	457.0	A=685.8 B=285.8 O=1371.6 K=914.4

Sch. No.	Wall Thickness:t 壁厚:t		Approx. Weight 理论重量		
	t		45° kg	90° kg	180° kg
	inch	mm			
20	0.250	6.35	17.9	35.7	71.4
30	0.330	8.38	23.4	45.8	93.6
Std	0.375	9.53	26.6	53.1	106
40	0.406	10.31	28.7	57.8	115
XS	0.500	12.70	35.0	70.0	140
60	0.562	14.27	39.1	78.2	156
80	0.688	17.48	47.4	94.7	189
100	0.844	21.44	57.5	115	230
120/XXS	1.000	25.40	67.0	134	268
140	1.125	28.58	74.5	149	298
160	1.312	33.32	85.5	171	342
10	0.250	6.35	22.9	45.5	91.6
20	0.312	7.92	28.5	56.9	114
Std/30	0.375	9.53	34.1	68.1	136
40	0.438	11.13	39.6	79.2	158
XS	0.500	12.70	45.0	90.0	180
60	0.594	15.09	53.0	106	212
80	0.750	19.05	66.0	132	264
100	0.938	23.83	81.5	163	326
120	1.094	27.79	94.0	188	376
140	1.250	31.75	106	212	424
160	1.406	35.71	118	236	472
10	0.250	6.35	30.0	60.0	120
20	0.312	7.92	37.3	74.5	149
Std/30	0.375	9.53	44.7	89.3	179
XS/40	0.500	12.70	59.0	118	236
60	0.656	16.66	76.5	153	306
80	0.844	21.44	97.5	195	390
100	1.031	26.19	118	235	470
120	1.219	30.96	137	274	548
140	1.438	36.53	160	319	638
160	1.594	40.49	175	350	700
10	0.250	6.35	38.1	76.1	152
20	0.312	7.92	47.3	94.5	189
30	0.438	11.13	66.0	132	264
Std	0.375	9.53	56.5	113	226
XS	0.500	12.70	75.0	150	300
40	0.562	14.27	84.0	168	336
60	0.750	19.05	111	222	444
80	0.938	23.83	137	274	548
100	1.156	29.36	167	334	668
120	1.375	34.93	196	392	784
140	1.562	39.67	220	440	880
160	1.781	45.24	246	492	984

弯头 长半径

Elbows Long Radius ASME/ANSI B16.9

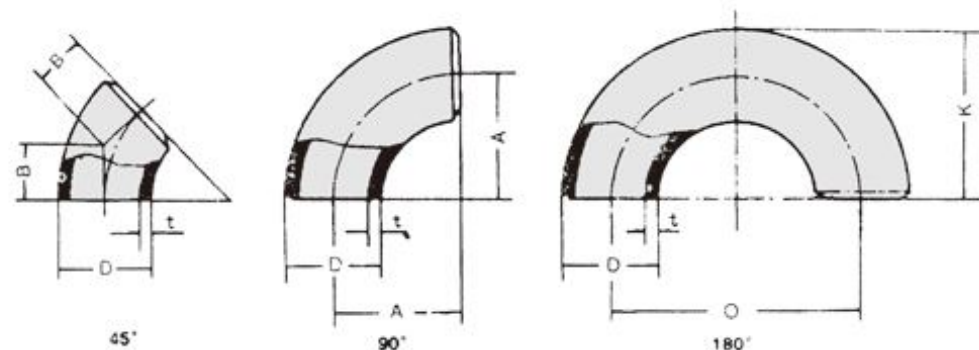


Nominal Pipe Size 公称尺寸 inch	Dimensions 尺寸		Center End:A/B 中心至端面:A/B Center to Center:O 中心至中心:O Back to Face:K 顶端至端面:K mm
	Outside Diameter at Bevel:D 坡口处外径:D		
	inch	mm	
20	20.000	508.0	A=762.0 B=317.5 O=1524.0 K=1016.0
22	22.000	559.0	A=838.2 B=342.9 O=1676.4 K=1117.6
24	24.000	610.0	A=914.4 B=381.0 O=1828.8 K=1219.2
26	26.000	660.0	A=990.6 B=406.4

Sch. No.	Wall Thickness:t 壁厚:t		Approx. Weight 理论重量		
	t		45° kg	90° kg	180° kg
	inch	mm			
10	0.250	6.35	47.0	94.0	188
Std/20	0.375	9.53	70.0	140	280
XS/30	0.500	12.70	93.0	186	372
40	0.594	15.09	110	219	438
60	0.812	20.62	149	297	594
80	1.031	26.19	186	372	744
100	1.281	32.54	229	457	914
120	1.500	38.10	264	528	1056
140	1.750	44.45	305	609	1218
160	1.969	50.01	338	676	1352
10	0.250	6.35	57.0	114	228
Std/20	0.375	9.53	85.0	170	340
XS/30	0.500	12.70	113	225	450
60	0.875	22.23	194	387	774
80	1.125	28.58	248	492	984
100	1.375	34.93	297	594	1188
120	1.625	41.28	347	694	1388
140	1.875	47.63	395	790	1580
160	2.125	53.98	443	885	1770
10	0.250	6.35	68	136	272
Std/20	0.375	9.53	101	202	404
XS	0.500	12.70	135	269	538
30	0.562	14.27	151	301	602
40	0.688	17.48	183	366	732
60	0.969	24.61	255	510	1020
80	1.219	30.96	317	634	1268
100	1.531	38.89	393	786	1572
120	1.812	46.02	460	919	1838
140	2.062	52.37	515	1033	2060
160	2.344	59.34	580	1160	2320
10	0.312	7.92	99	198	
Std	0.375	9.53	119	238	
XS/20	0.500	12.70	158	316	

弯头 长半径

Elbows Long Radius ASME/ANSI B16.9

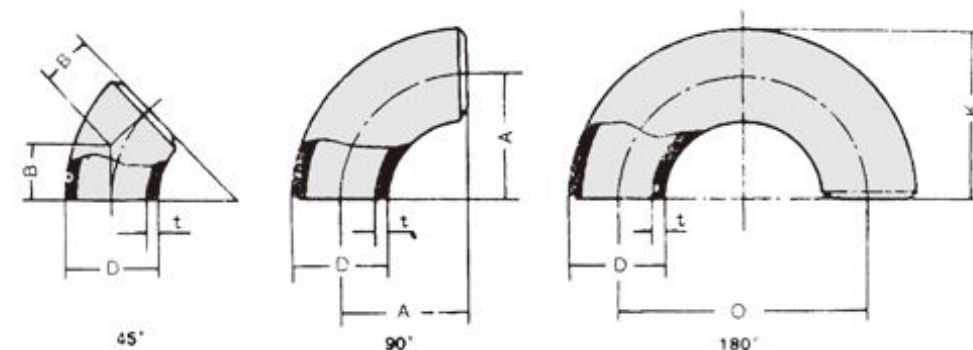


Nominal Pipe Size 公称尺寸 inch	Dimensions 尺寸		
	Outside Diameter at Bevel:D 坡口处外径:D		Center End:A/B 中心至端面:A/B Center to Center:O 中心至中心:O Back to Face:K 顶端至端面:K mm
	inch	mm	
28	28.000	711.0	A=1066.8 B=469.9
30	30.000	762.0	A=1143.0 B=469.9
32	32.000	813.0	A=1219.2 B=501.7
34	34.000	864.0	A=1295.4 B=533.4
36	36.000	914.0	A=1371.6 B=565.2
38	38.000	965.0	A=1448.0 B=600.0
40	40.000	1016.0	A=1524.0 B=632.0

Sch. No.	Wall Thickness:t 壁厚:t		Approx. Weight 理论重量		
	t		45° kg	90° kg	180° kg
	inch	mm			
10 Std XS/20 30	0.312	7.92	115	230	
	0.375	9.53	138	276	
	0.500	12.70	184	367	
10 Std XS/20 30	0.312	7.92	132	264	
	0.375	9.53	159	318	
	0.500	12.70	211	421	
10 Std XS/20 30 40	0.312	7.92	151	301	
	0.375	9.53	181	362	
	0.500	12.70	240	480	
10 Std XS/20 30 40	0.312	7.92	170	340	
	0.375	9.53	204	408	
	0.500	12.70	271	542	
10 Std XS/20 30 40	0.312	7.92	191	381	
	0.375	9.53	229	458	
	0.500	12.70	304	608	
Std XS	0.375	9.53	257	514	1028
	0.500	12.7	341.5	683	1366
	Std XS	0.375	9.53	285	570
	0.500	12.7	378.5	757	1514

弯头 长半径

Elbows Long Radius ASME/ANSI B16.9

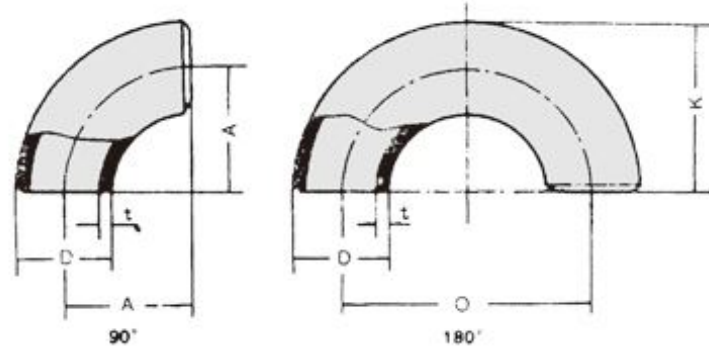


Nominal Pipe Size 公称尺寸 inch	Dimensions 尺寸		
	Outside Diameter at Bevel:D 坡口处外径:D		Center End:A/B 中心至端面:A/B Center to Center:O 中心至中心:O Back to Face:K 顶端至端面:K mm
	inch	mm	
42	42.000	1067.0	A=1600.0 B=660.0
44	44.000	1118.0	A=1676.0 B=695.0
46	46.000	1168.0	A=1753.0 B=727.0
48	48.000	1219.0	A=1829.0 B=759.0

Sch. No.	Wall Thickness:t 壁厚:t		Approx. Weight 理论重量		
	t		45° kg	90° kg	180° kg
	inch	mm			
Std XS	0.375	9.53	314.5	625	1258
	0.500	12.7	418	836	1672
Std XS	0.375	9.53	345.5	691	1382
	0.500	12.7	459	918	1836
Std XS	0.375	9.53	375.5	753	1506
	0.500	12.7	501.5	1003	2006
Std XS	0.375	9.53	411	822	1644
	0.500	12.7	546	1092	2184

弯头 短半径

Elbows Short Radius ASME/ANSI B16.28

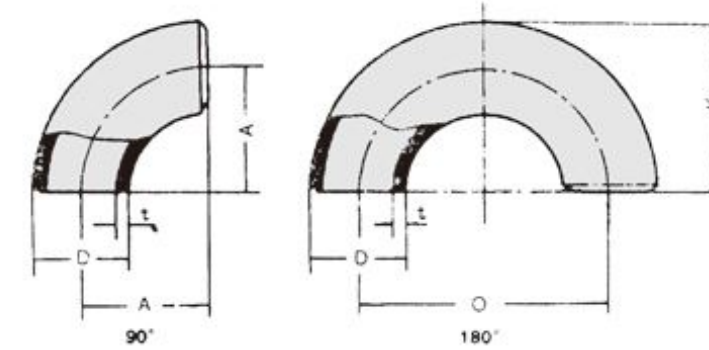


Nominal Pipe Size 公称尺寸 inch	Dimensions 尺寸		
	Outside Diameter at Bevel:D 坡口处外径:D		Center End:A/B 中心至端面:A/B Center to Center:O 中心至中心:O Back to Face:K 顶端至端面:K mm
	inch	mm	
1	1.315	33.4	A=25.4 O=50.8 K=41.1
1 1/4	1.660	42.2	A=31.8 O=63.5 K=52.3
1 1/2	1.900	48.3	A=38.1 O=76.2 K=62.0
2	2.375	60.3	A=50.8 O=101.6 K=81.0
2 1/2	2.875	73.0	A=63.5 O=127.0 K=100.1
3	3.500	88.9	A=76.2 O=152.4 K=120.7
4	4.500	114.3	A=101.6 O=203.2 K=158.8
5	5.563	141.3	A=127.0 O=254.0 K=196.9

Sch. No.	Wall Thickness:t 壁厚:t		Approx. Weight 理论重量	
	t		90° kg	180° kg
	inch	mm		
Std/40 XS/80 160 XXS	0.133	3.38	0.10	0.20
	0.179	4.55	0.13	0.26
	0.250	6.35	0.17	0.34
	0.358	9.09	0.22	0.44
Std/40 XS/80 160 XXS	0.140	3.56	0.17	0.34
	0.191	4.85	0.22	0.44
	0.250	6.35	0.28	0.56
	0.382	9.70	0.39	0.78
Std/40 XS/80 160 XXS	0.145	3.68	0.24	0.48
	0.200	5.08	0.32	0.64
	0.281	7.14	0.43	0.86
	0.400	10.15	0.57	1.14
Std/40 XS/80 160 XXS	0.154	3.91	0.45	0.86
	0.218	5.54	0.60	1.20
	0.344	8.74	0.89	1.78
	0.436	11.07	1.07	2.14
Std/40 XS/80 160 XXS	0.203	5.16	0.86	1.72
	0.276	7.01	1.14	2.28
	0.375	9.53	1.49	2.98
	0.552	14.02	2.03	4.06
Std/40 XS/80 160 XXS	0.216	5.49	1.35	2.70
	0.300	7.62	1.83	3.66
	0.438	11.13	2.56	5.12
	0.600	15.24	3.31	6.62
Std/40 XS/80 120 160 XXS	0.237	6.02	2.57	5.14
	0.337	8.56	3.56	7.12
	0.438	11.13	4.52	9.04
	0.531	13.49	5.35	10.70
XXS	0.674	17.12	6.54	13.08
Std/40 XS/80 120 160 XXS	0.258	6.55	4.34	8.68
	0.375	9.53	6.18	12.40
	0.500	12.70	8.04	16.10
	0.625	15.88	9.80	19.60
XXS	0.750	19.05	11.45	22.90

弯头 短半径

Elbows Short Radius ASME/ANSI B16.28

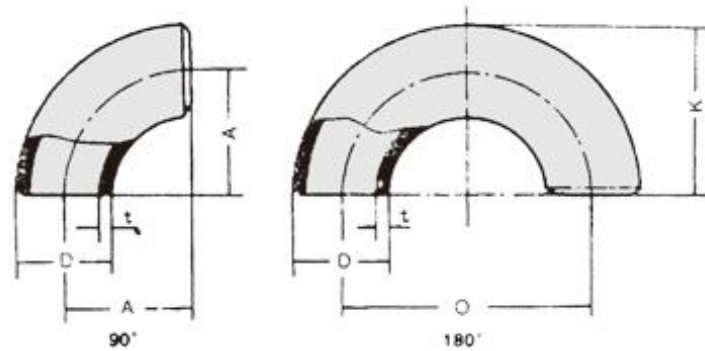


Nominal Pipe Size 公称尺寸 inch	Dimensions 尺寸		
	Outside Diameter at Bevel:D 坡口处外径:D		Center End:A/B 中心至端面:A/B Center to Center:O 中心至中心:O Back to Face:K 顶端至端面:K mm
	inch	mm	
6	6.625	168.3	A=152.4 O=304.8 K=236.5
8	8.625	219.1	A=203.2 O=406.4 K=312.7
10	10.750	273.0	A=254.0 O=508.0 K=390.7
12	12.750	323.9	A=304.8 O=609.6 K=466.9

Sch. No.	Wall Thickness:t 壁厚:t		Approx. Weight 理论重量	
	t		90° kg	180° kg
	inch	mm		
Std/40 XS/80 120 160 XXS	0.280	7.11	6.77	13.5
	0.432	10.97	10.2	20.4
	0.562	14.27	13.0	26.0
	0.719	18.26	16.2	32.4
	0.864	21.95	19.0	38.0
20 30 Std/40 60 XS/80 100 120 140 160 XXS	0.250	6.35	10.6	21.2
	0.277	7.04	11.8	23.6
	0.322	8.18	13.6	27.2
	0.406	10.31	16.9	33.8
	0.500	12.70	20.9	41.8
	0.594	15.09	24.2	48.4
	0.719	18.26	28.8	57.6
	0.812	20.62	32.2	64.4
	0.906	23.01	35.5	71.0
	0.875	22.23	34.4	68.8
20 30 Std/40 XS/60 80 100 120 140/XXS 160	0.250	6.35	16.7	33.4
	0.307	7.80	20.4	40.8
	0.365	9.27	24.1	48.2
	0.500	12.70	32.5	65.0
	0.594	15.09	38.2	76.4
	0.719	18.26	45.7	91.4
	0.844	21.44	53.0	106.0
	1.000	25.40	61.9	124.0
1.125	28.58	68.7	137.0	
20 30 Std 40 60 XS 80 100 120/XXS 140 160	0.250	6.35	23.8	47.6
	0.330	8.38	31.2	62.4
	0.375	9.53	35.4	70.8
	0.406	10.31	38.2	76.4
	0.562	14.27	52.2	104.0
	0.500	12.70	46.7	93.4
	0.688	17.48	63.1	126.0
	0.844	21.44	76.5	153.0
	1.000	25.40	89.5	179.0
	1.125	28.58	99.6	199.0
1.312	33.32	114.0	228.0	

弯头 短半径

Elbows Short Radius ASME/ANSI B16.28

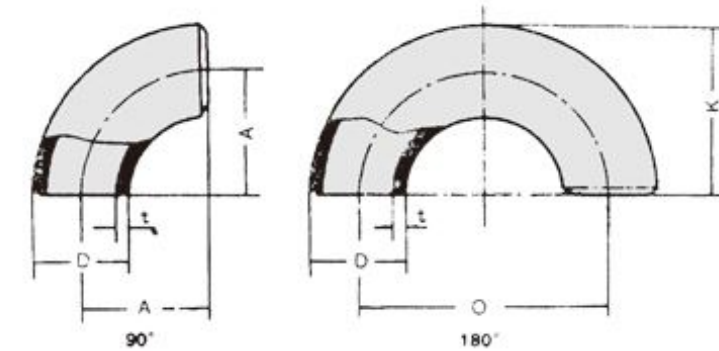


Nominal Pipe Size 公称尺寸 inch	Dimensions 尺寸		
	Outside Diameter at Bevel:D 坡口处外径:D		Center End:A/B 中心至端面:A/B Center to Center:O 中心至中心:O Back to Face:K 顶端至端面:K mm
	inch	mm	
14	14.000	355.6	A=355.6 O=711.2 K=533.4
16	16.000	406.4	A=406.4 O=812.8 K=609.6
18	18.000	457.0	A=457.0 O=914.4 K=685.8
20	20.000	508.0	A=508.0 O=1016.0 K=762.0

Sch. No.	Wall Thickness:t 壁厚:t		Approx. Weight 理论重量	
	t		90° kg	180° kg
	inch	mm		
10	0.250	6.35	30.6	61.2
20	0.312	7.92	37.9	75.8
Std/30	0.375	9.53	45.4	90.8
40	0.438	11.13	52.8	106
XS	0.500	12.70	60.0	120
60	0.594	15.09	70.6	141
80	0.750	19.05	88.3	177
100	0.938	23.83	109	218
120	1.094	27.79	125	250
140	1.250	31.75	142	284
160	1.406	35.71	157	314
10	0.250	6.35	40.0	80.0
30	0.312	7.92	49.7	99.0
Std/30	0.375	9.53	59.5	119
XS/40	0.500	12.70	78.7	157
60	0.656	16.66	102	204
80	0.844	21.44	130	260
100	1.031	26.19	157	314
120	1.219	30.96	183	366
140	1.438	36.53	213	426
160	1.594	40.49	233	466
10	0.250	6.35	50.7	101
20	0.312	7.92	63.0	126
Std	0.375	9.53	75.6	151
30	0.438	11.13	87.9	176
40	0.562	14.27	112	224
XS	0.750	19.05	148	296
60	0.500	12.70	100	200
80	0.938	23.83	183	366
100	1.156	29.36	222	444
120	1.375	34.93	261	522
140	1.562	39.67	293	586
160	1.781	45.24	330	660
10	0.250	6.35	62.7	123
Std/20	0.375	9.53	93.4	187
XS/30	0.500	12.70	124	248
40	0.594	15.09	146	292
60	0.812	20.62	198	396
80	1.031	26.19	248	496
100	1.281	32.54	304	608
120	1.500	38.10	352	704
140	1.750	44.45	405	810
160	1.969	50.01	451	902

弯头 短半径

Elbows Short Radius ASME/ANSI B16.28



Nominal Pipe Size 公称尺寸 inch	Dimensions 尺寸		
	Outside Diameter at Bevel:D 坡口处外径:D		Center End:A/B 中心至端面:A/B Center to Center:O 中心至中心:O Back to Face:K 顶端至端面:K mm
	inch	mm	
22	22.000	559	A=558.8 O=1117.6 K=838.3
24	24.000	610	A=609.6 O=1219.2 K=914.4

Sch. No.	Wall Thickness:t 壁厚:t		Approx. Weight 理论重量	
	t		90° kg	180° kg
	inch	mm		
10	0.250	6.35	75.9	152
Std/20	0.375	9.53	113	226
XS/30	0.500	12.70	150	300
60	0.875	22.23	258	516
80	1.125	28.58	328	656
100	1.375	34.93	396	792
120	1.625	41.28	462	924
140	1.875	47.63	527	1054
160	2.125	53.98	590	1180
10	0.250	6.35	90.5	181
Std/20	0.375	9.53	135	270
30	0.562	14.27	201	402
40	0.688	17.48	244	488
60	0.969	24.61	340	680
XS	0.500	12.70	179	358
80	1.219	30.96	423	846
100	1.531	38.89	524	1048
120	1.812	46.02	612	1224
140	2.062	52.37	689	1378
160	2.344	59.54	773	1546