

# 大小头

ГОСТ 17378-2001

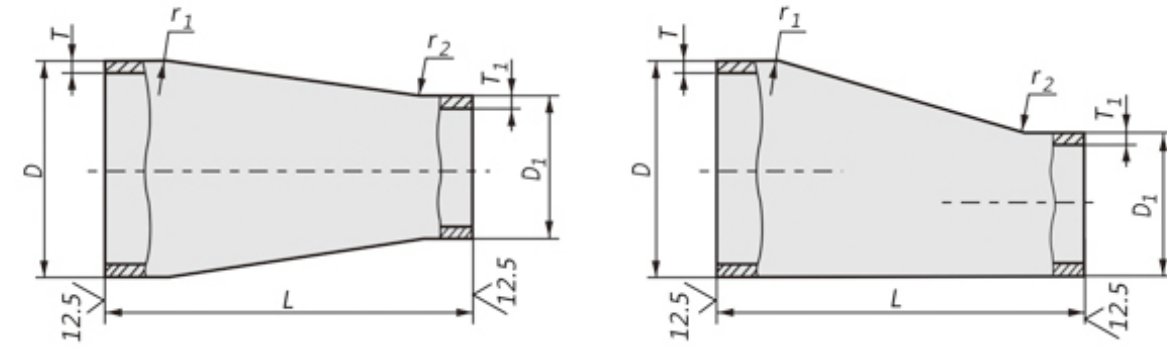


Таблица 2— Переходы исполнения 2

Размеры в миллиметрах

DN	D	T	D <sub>1</sub>	T <sub>1</sub>	L	Масса, кг
32	38	2.0	32	2.0	30	0.1
		3.0		3.0		0.2
		4.0		4.0		0.2
		2.0	25	1.6		0.1
		3.0		3.0		0.2
		4.0		3.0		0.2
40	45	2.5	32	1.6		0.1
		4.0		3.0		0.2
		5.0		3.0		0.3
		2.5	38	2.0		0.1
		4.0		4.0		0.2
		5.0		5.0		0.3
50	57	3.0	25	1.6	45	0.2
		4.0		1.6		0.3
		5.0		3.0		0.3
		6.0		3.0		0.4
		3.0	32	2.0		0.2
		4.0		2.0		0.3
		5.0		3.0		0.3
		6.0		4.0		0.4
		3.0	38	2.0		0.2
		4.0		4.0		0.3
		5.0		4.0		0.3
		6.0		4.0		0.4

# 大小头

ГОСТ 17378-2001

Таблица 2— Переходы исполнения 2

Размеры в миллиметрах

DN	D	T	D <sub>1</sub>	T <sub>1</sub>	L	Масса, кг	
50	57	3.0	45	2.5	60	0.2	
		4.0		2.5		0.3	
		5.0		4.0		0.3	
		6.0		5.0		0.4	
65	76	3.0	38	2.0	55	0.3	
		3.5		2.5		0.4	
		5.0		3.0		0.6	
		6.0		3.0		0.6	
		7.0		4.0		0.7	
		3.0	45	2.5		70	0.4
		3.5		2.5			0.5
		5.0		4.0			0.6
		6.0		4.0			0.7
		7.0		5.0			0.8
		3.0	57	3.0			0.3
		3.5		3.0		0.4	
5.0	4.0	0.6					
6.0	5.0	0.7					
7.0	6.0	0.8					
80	89	3.5	45	2.5	75	0.6	
		6.0		4.0		0.9	
		8.0		5.0		1.2	
		3.5	57	3.0		0.6	
		6.0		4.0		0.9	
		8.0		5.0		1.2	
		3.5	76	3.5		0.6	
		6.0		5.0		0.9	
		8.0		6.0		1.2	
100	108	4.0	57	3.0	80	0.9	
		6.0		4.0		1.2	
		8.0		5.0		1.6	
		9.0		6.0		1.8	
		4.0	76	3.5		0.9	
		6.0		5.0		1.2	
		8.0		6.0		1.6	
		9.0		7.0		1.8	
		4.0	89	3.5		0.9	
		6.0		6.0		1.2	
		8.0		8.0		1.6	
		9.0		8.0		1.8	

# 大小头

ГОСТ 17378-2001

Таблица 2—Переходы исполнения 2

Размеры в миллиметрах

DN	D	T	D <sub>1</sub>	T <sub>1</sub>	L	Масса, кг
100	114	4.0	57	3.0	80	1.0
		6.0		4.0		1.3
		8.0		5.0		1.7
		9.0		6.0		1.9
		4.0	76	3.5		1.0
		6.0		5.0		1.3
		8.0		6.0		1.7
		9.0		7.0		1.9
		4.0	89	3.5		1.0
		6.0		6.0		1.3
		8.0		8.0		1.7
		9.0		8.0		1.9
125	133	4.0	57	3.0	100	1.3
		8.0		4.0		2.5
		10.0		5.0		3.1
		5.0	76	3.5		1.6
		8.0		5.0		2.5
		10.0		6.0		3.1
		4.0	89	3.5		1.3
		6.0		5.0		1.9
		8.0		6.0		2.5
		5.0	108	4.0		1.6
		8.0		6.0		2.5
		8.0		8.0		2.5
10.0	9.0	3.1				
5.0	114	4.0	1.6			
8.0		6.0	2.5			
8.0		8.0	2.5			
10.0		9.0	3.1			
150	159	4.5	57	3.0	75	1.5
		8.0		4.0		2.6
		10.0		5.0		3.2
		12.0		6.0		3.9
		4.5	76	3.5		1.5
		8.0		5.0		2.6
		10.0		6.0		3.2
		12.0		7.0		3.9
		4.5	89	3.5		2.3
		8.0		6.0		3.9
		10.0		8.0		4.8
		12.0		8.0		5.9

# 大小头

ГОСТ 17378-2001

Таблица 2—Переходы исполнения 2

Размеры в миллиметрах

DN	D	T	D <sub>1</sub>	T <sub>1</sub>	L	Масса, кг			
150	159	4.5	108	4.0	130	2.3			
		8.0		6.0		3.9			
		10.0		8.0		4.8			
		12.0		9.0		5.9			
		4.5	114	4.0		2.3			
		8.0		6.0		3.9			
		10.0		8.0		4.8			
		12.0		9.0		5.9			
		4.5	133	4.0		2.3			
		8.0		8.0		3.9			
		10.0		10.0		4.8			
		12.0		10.0		5.9			
	168	75	4.5	57	3.0	130	1.6		
			8.0		4.0		2.7		
			10.0		5.0		3.3		
			12.0	6.0	4.0				
			4.5	76	3.5		1.6		
			8.0		5.0		2.7		
		10.0	6.0		3.3				
		12.0	7.0	4.0					
		89	130	4.5	89		3.5	130	2.6
				8.0			6.0		4.1
				10.0			8.0		5.1
				12.0	8.0		6.2		
4.5	108			4.0	2.6				
8.0				6.0	4.1				
10.0		8.0	5.1						
12.0	9.0	6.2							
114	130	4.5	114	4.0	130	2.6			
		8.0		6.0		4.1			
		10.0		8.0		5.1			
		12.0	9.0	6.2					
		4.5	133	4.0		2.6			
		8.0		8.0		4.1			
10.0	10.0	5.1							
12.0	10.0	6.2							
200	219	6.0	57	3.0		95	2.9		
		10.0		4.0			4.6		
		12.0		4.0			5.5		
		14.0		5.0			6.4		
		16.0	6.0	7.3					
		6.0	76	3.5	2.9				
		10.0		5.0	4.6				
		12.0		5.0	5.5				
		14.0		6.0	6.4				
		16.0	7.0	7.3					

# 大小头

ГОСТ 17378-2001

Таблица 2— Переходы исполнения 2

Размеры в миллиметрах

DN	D	T	D <sub>1</sub>	T <sub>1</sub>	L	Масса, кг
200	219	6,0	89	3,5	95	2,9
		10,0		5,0		4,6
		12,0		5,0		5,5
		14,0		6,0		6,4
		16,0		8,0		7,3
		6,0	108	4,0		2,9
		10,0		6,0		4,6
		12,0		8,0		5,5
		14,0		8,0		6,4
		16,0		9,0		7,3
		6,0	114	4,0		2,9
		10,0		6,0		4,6
		12,0		8,0		5,5
		14,0		8,0		6,4
		16,0		9,0		7,3
		6,0	133	4,0		4,4
		10,0		8,0		7,2
		12,0		8,0		8,8
		14,0		10,0		10,0
		16,0		10,0		12,0
6,0	159	4,5	4,4			
10,0		8,0	7,2			
12,0		10,0	8,8			
14,0		12,0	10,0			
16,0		12,0	12,0			
6,0	168	4,5	4,4			
10,0		8,0	7,2			
12,0		10,0	8,8			
14,0		12,0	10,0			
16,0		12,0	12,0			
250	273	7,0	108	4,0	140	6,0
		10,0		6,0		8,5
		12,0		8,0		10,0
		14,0		8,0		12,0
		16,0		9,0		13,0
		18,0	9,0	15,0		
		7,0	114	4,0		6,0
		10,0		6,0		8,5
		12,0		8,0		10,0
		14,0		8,0		12,0
		16,0		9,0		13,0
		18,0	9,0	15,0		
		7,0	133	4,0		6,0
		10,0		6,0		8,5
		12,0		8,0		10,0
		14,0		8,0		12,0
		16,0		10,0		13,0
		18,0	10,0	15,0		

# 大小头

ГОСТ 17378-2001

Таблица 2— Переходы исполнения 2

Размеры в миллиметрах

DN	D	T	D <sub>1</sub>	T <sub>1</sub>	L	Масса, кг			
250	273	7,0	159	4,5	180	8,3			
		10,0		8,0		12,0			
		12,0		10,0		14,0			
		14,0		10,0		16,0			
		16,0		12,0		18,0			
		18,0	12,0	20,0					
		7,0	168	4,5		8,3			
		10,0		8,0		12,0			
		12,0		10,0		14,0			
		14,0		10,0		16,0			
		16,0		12,0		18,0			
		18,0	12,0	20,0					
		7,0	219	6,0		8,3			
		10,0		8,0		12,0			
		12,0		10,0		14,0			
		14,0		12,0		16,0			
		16,0		14,0		18,0			
		18,0	16,0	20,0					
		300	325	8,0		108	4,0	140	9,0
				10,0			4,0		11,0
12,0	6,0			16,0					
14,0	6,0			18,0					
16,0	8,0			20,0					
18,0	8,0			23,0					
22,0	9,0			28,0					
8,0	114			4,0	9,0				
10,0				4,0	11,0				
12,0				6,0	16,0				
14,0				6,0	18,0				
16,0				8,0	20,0				
18,0	8,0			23,0					
22,0	9,0			28,0					
8,0	133			5,0	11,0				
10,0				6,0	13,0				
12,0				8,0	16,0				
14,0				8,0	18,0				
16,0				8,0	20,0				
18,0	10,0			23,0					
22,0	10,0	28,0							
8,0	159	4,5	11,0						
10,0		6,0	14,0						
12,0		8,0	16,0						
14,0		8,0	18,0						
16,0		10,0	20,0						
18,0	10,0	23,0							
22,0	12,0	28,0							
8,0	168	4,0	11,0						
10,0		6,0	14,0						
12,0		8,0	16,0						
14,0		8,0	18,0						

# 大小头

ГОСТ 17378-2001

Таблица 2— Переходы исполнения 2

Размеры в миллиметрах

DN	D	T	D <sub>1</sub>	T <sub>1</sub>	L	Масса, кг
300	325	16.0	168	10.0	140	20.0
		18.0		10.0		23.0
		22.0		12.0		28.0
		8.0	219	7.0	180	11.0
		10.0		8.0		14.0
		12.0		10.0		17.0
		14.0		10.0		20.0
		16.0		12.0		22.0
		18.0		14.0		25.0
		22.0		16.0		31.0
		8.0	273	7.0	180	11.0
		10.0		10.0		14.0
		12.0		12.0		17.0
		14.0		12.0		20.0
		16.0		14.0		22.0
		18.0		16.0		25.0
		22.0		18.0		31.0
		350	377	12.0	159	6.0
16.0	8.0			29.0		
20.0	10.0			35.0		
24.0	12.0			42.0		
26.0	12.0			45.0		
12.0	168			6.0	22.0	
16.0				8.0	29.0	
20.0				10.0	35.0	
24.0				12.0	42.0	
26.0				12.0	45.0	
12.0	219			8.0	22.0	
16.0				10.0	29.0	
20.0				12.0	35.0	
24.0				14.0	42.0	
26.0				16.0	45.0	
10.0	273			7.0	20.0	
12.0				10.0	24.0	
14.0				12.0	28.0	
16.0				12.0	31.0	
20.0				16.0	38.0	
24.0				18.0	45.0	
26.0				18.0	49.0	
10.0	325			8.0	20.0	
12.0				10.0	24.0	
14.0		12.0	28.0			
16.0		16.0	31.0			
20.0		18.0	38.0			
24.0		22.0	45.0			
26.0		22.0	49.0			
400	426	12.0	159	8.0	220	37.0
		16.0		10.0		53.0
		20.0		10.0		65.0

# 大小头

ГОСТ 17378-2001

Таблица 2— Переходы исполнения 2

Размеры в миллиметрах

DN	D	T	D <sub>1</sub>	T <sub>1</sub>	L	Масса, кг	
400	426	22.0	159	10.0	220	71.0	
		26.0		12.0		83.0	
		28.0		12.0		89.0	
		12.0	168	8.0		180	37.0
		16.0		10.0			53.0
		20.0		10.0			65.0
		22.0		10.0			71.0
		26.0		12.0			83.0
		28.0		12.0			89.0
		12.0		219			8.0
		16.0	10.0			45.0	
		20.0	12.0			56.0	
		22.0	12.0			61.0	
		26.0	14.0			72.0	
		28.0	16.0			76.0	
		12.0	273			10.0	220
		16.0		12.0		36.0	
		20.0		14.0		44.0	
		22.0		14.0		48.0	
		26.0		18.0		56.0	
		28.0		18.0		59.0	
		10.0		325		8.0	
		12.0	10.0			27.0	
		14.0	12.0			31.0	
16.0	12.0	36.0					
20.0	16.0	44.0					
22.0	18.0	48.0					
26.0	20.0	56.0					
28.0	22.0	59.0					
10.0	377	10.0	220	23.0			
12.0		12.0		27.0			
14.0		14.0		31.0			
16.0		16.0		36.0			
20.0		20.0		44.0			
22.0		20.0		48.0			
26.0		24.0		56.0			
28.0	26.0	59.0					
500	530	12.0	377	10.0	300	46.0	
		14.0		12.0		54.0	
		16.0		12.0		61.0	
		20.0		16.0		75.0	
		22.0		20.0		81.0	
		26.0	22.0	94.0			
		12.0	426	10.0		220	46.0
		14.0		12.0			54.0
		16.0		16.0			61.0
		20.0		16.0			75.0
		22.0		20.0			81.0
		26.0		22.0			94.0